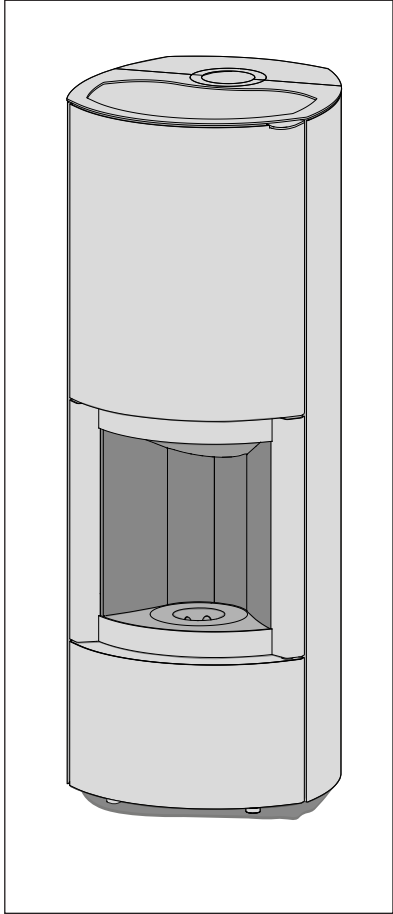


sP20-S | The stove STUV

FEATURES

delight of the fire	<ul style="list-style-type: none"> enlarged view continuous line of the combustion chamber maximum experience from different areas of the living room
pleasant heating	<ul style="list-style-type: none"> over 90% efficiency natural convection to distribute heat more broadly amplified radiation thanks to the large glazed area flame quality comparable to those of a wood fire, thanks to its patented "flower burner"
silent	<ul style="list-style-type: none"> natural convection - no noise from the blower wood pellets are lifted, no annoying clattering continuous geared motor on intake screws
ease of use	<ul style="list-style-type: none"> quick access to different functions and operating modes via the integrated simplified control display full remote control via mobile app optional remote control with integrated thermostat automatic ash removal for minimal maintenance large-capacity ash drawer sensor to indicate amount of pellets
ergonomics	<ul style="list-style-type: none"> front loading via a wide, ergonomic hopper 18 kg pellet tank with no risk of overflow
ease of installation & maintenance	<ul style="list-style-type: none"> four types of connection to outside air possibility of flue connection from the top of the appliance (single or concentric outlet) easy access through opening panels hinged access to fan chimney sweep at ground level
high quality	<ul style="list-style-type: none"> ceramic igniter two-point locking system thick casing extremely well sealed
environmental performance	<ul style="list-style-type: none"> CO and fine particle emissions approaching zero exceeds the expectations of the ecodesign 2022 standard
patent	<ul style="list-style-type: none"> loading system burner



TECHNICAL OVERVIEW

GENERAL

TYPE OF STOVE	stove
FUEL	wood pellets
MATERIALS OF BODY OF FIRE CHAMBER	steel + vermiculite
MATERIALS COVERING BASE	steel
COLOUR	StuvBlack
LOADING	manual

WEIGHT / DIMENSIONS

WEIGHT	180kg
DIAMETER OF SMOKE FLUE	80mm 80/130mm
DIAMETER OF OUTSIDE AIR INLET	60mm

AIR

EXTERNAL INLET	✓
AIR-TIGHTNESS	+++

PERFORMANCE

ENERGY EFFICIENCY CLASS	A+
ENERGY PERFORMANCE INDEX	0,030
ENERGY EFFICIENCY INDEX	128
OUTPUT	8,1 kW
OUTPUT RANGE	3,7 - 8,1 kW
NOMINAL EFFICIENCY	90,3%
SEASONAL EFFICIENCY	87,3%
FINE PARTICLE EMISSIONS	6 mg/Nm ³
CO EMISSIONS	0,0003% 4 mg/Nm ³
NOX EMISSIONS	89 mg/Nm ³
COV/COG EMISSIONS	< 1 mg/Nm
RANGE OF CONSUMPTION	0,84 - 1,84 kg/h
NOMINAL DRAW	12 Pa
SMOKE MASS FLOW	4,9 g/s
AVERAGE TEMP. OF SMOKE	185,4°C
HOPPER CAPACITY	18 kg
INDEPENDENT OPERATING DURATION (MIN/MAX)	10 - 21 h
ELECTRICAL CONNECTION	230 - 50 V/Hz
ELECTRICAL CONSUMPTION	24 W

MINIMUM THICKNESS OF INSULATION BETWEEN STOVE AND COMBUSTIBLE MATERIALS

BACK FACE	10 cm
SIDE FACE	10 cm
TOP FACE	80 cm
BOTTOM FACE	0 cm

ACCESSORIES / EQUIPMENT

REMOTE CONTROL	<input type="radio"/>
MANUAL ASH REMOVAL RACK	<input checked="" type="checkbox"/>
ASH PAN	<input checked="" type="checkbox"/>
WIFI HANDSET	<input type="radio"/>

LEGEND

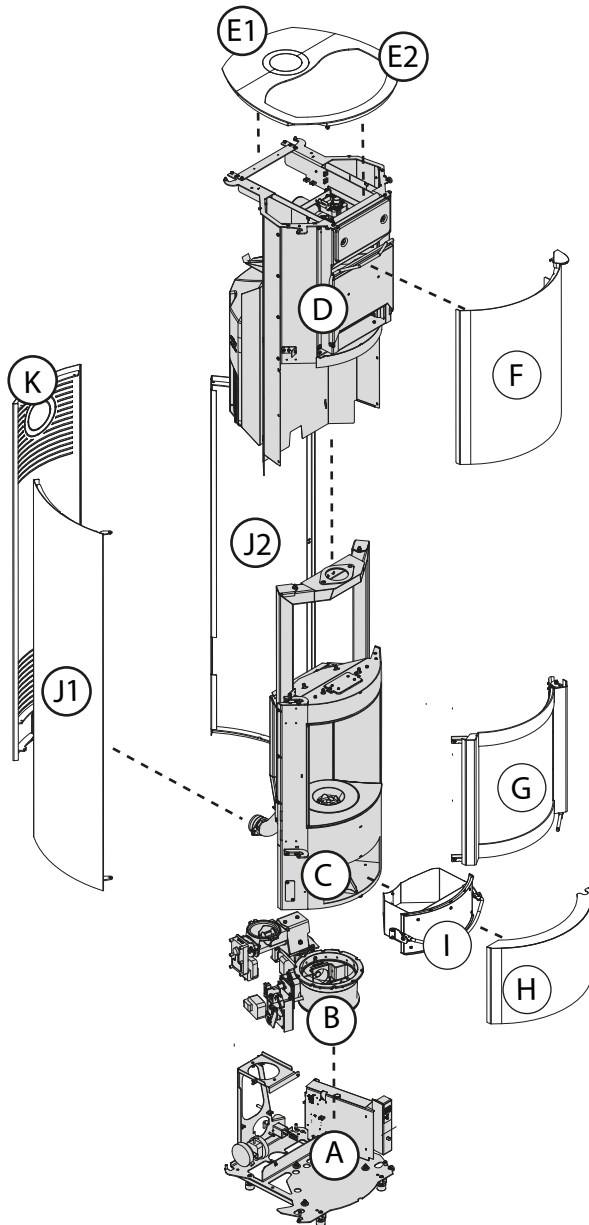
✓	STANDARD
X	UNAVAILABLE
<input type="radio"/>	OPTIONAL

Conforms with:



ECODESIGN 2022 / BE Phase 3 / DEFRA

THE BASIC STOVE AND ITS COMPONENTS



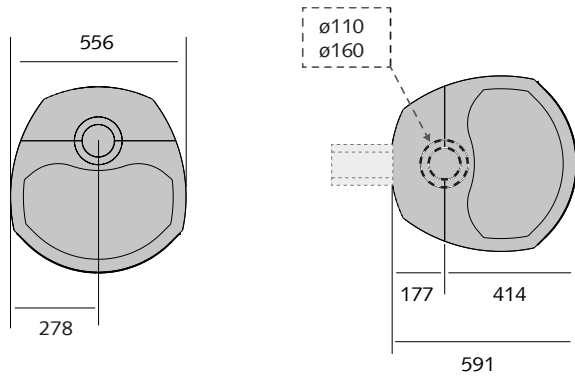
- A. Burner base with air intake system
- B. Pellet feed screw and fire bed
- C. Combustion chamber, heat exchanger and safety valve
- D. Smoke extractor and pellet tank
- E.1. Rear top shelf
- E.2. Front top shelf
- F. Loading hopper access door
- G. Combustion chamber door
- H. Ash drawer door
- I. Ash drawer
- J.1. Left facing
- J.2. Right facing
- K. Bottom door

sP20-S | The stove

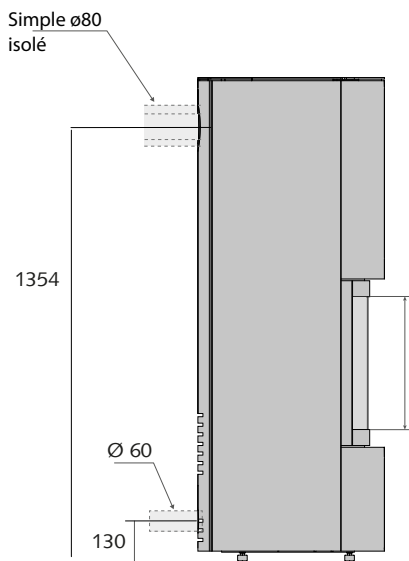


DIMENSIONS OF THE STOVE

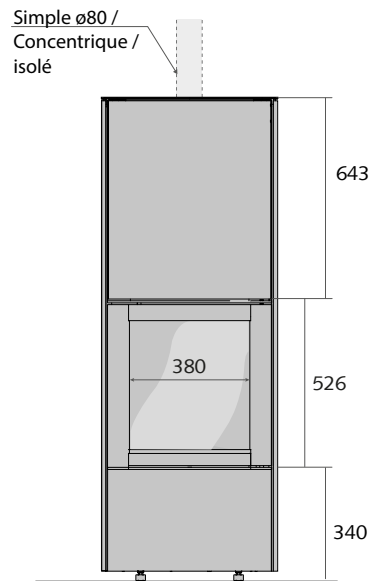
TOP VIEW



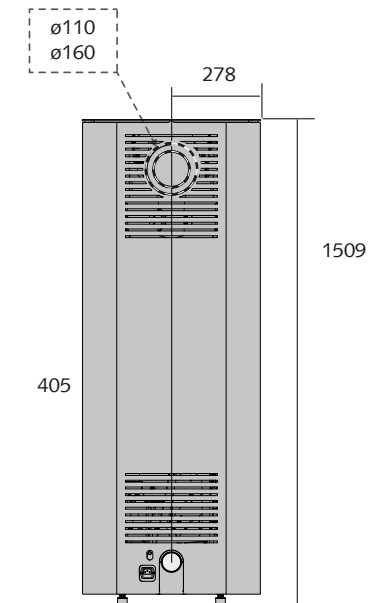
SIDE VIEW



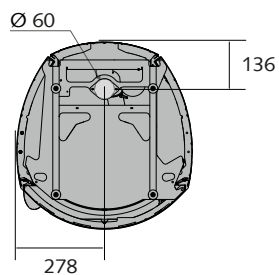
FRONT VIEW



REAR VIEW

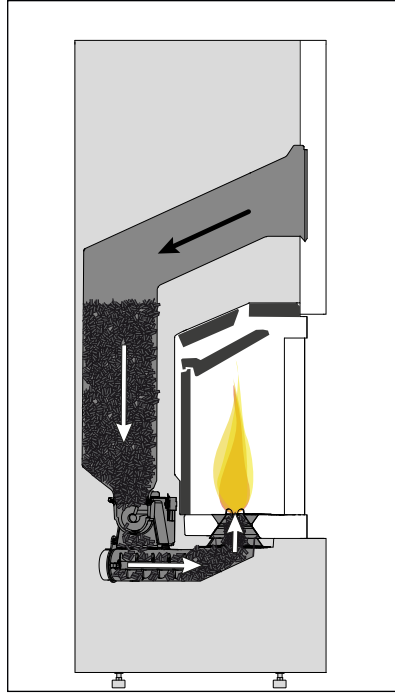
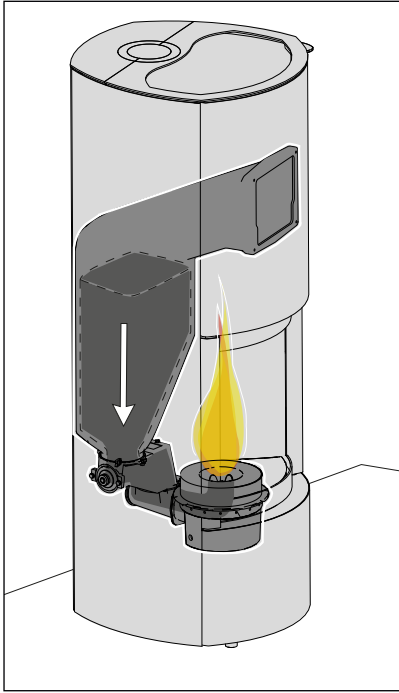


BOTTOM VIEW



sP20-S | The stove

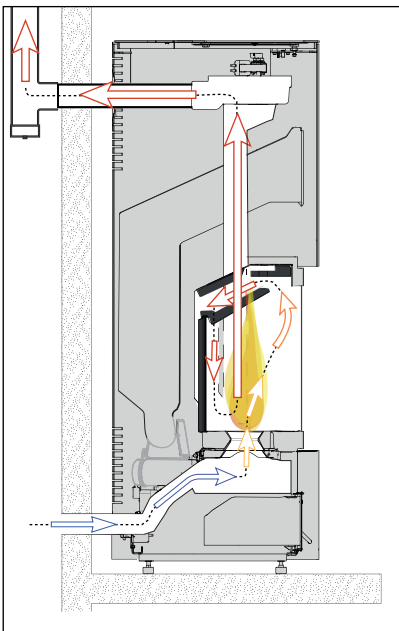
MODE OF OPERATION



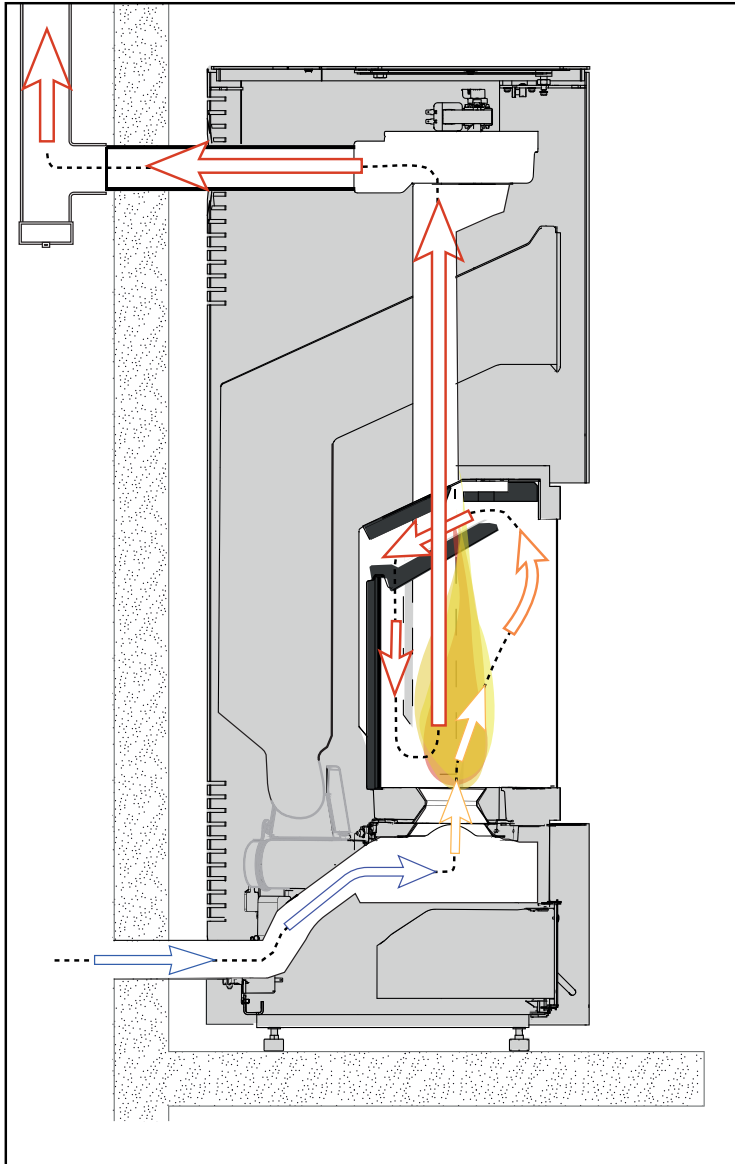
The sP20-S is equipped with a pellet tank, a fuel supply system, a combustion air supply system, a smoke extraction system, as well as electronics and sensors to modulate and regulate the operation of the appliance.

The combustion chamber radiates and diffuses heat by convection, and is fitted with a glass pane offering a view of a large, beautiful flame. The appliance is equipped with an electronic control system that adjusts two variables to provide optimum thermal comfort. Depending on the user's requirements, the sP20-S will adjust its output and maintain it by adjusting :

- the quantity of pellets burnt [diagram 1&2]
- the amount of air supplied to combustion [diagram 3].

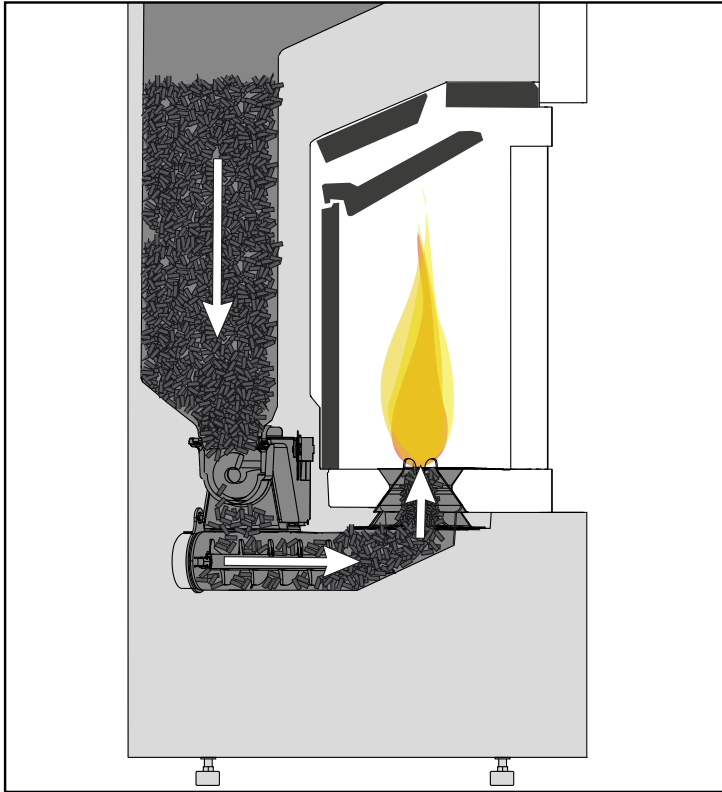


COMBUSTION AND CONVECTION



1. The air needed for combustion is taken from outside the building (under the stove or at the back of the device) or from inside the building."
2. The air intake, the combustion chamber and form an airtight system which does not hinder the insulation and ventilation of the building.
3. The smoke passes through a heat exchanger, is sucked through a fan and then vented through the flue.
4. The air of the living room is drawn to be reheated.
5. Air circulates in the convection chamber and harnesses the heat from the fumes.
6. The reheated air comes out of the device naturally, then noiselessly spreads around the room.
7. The heat radiates through the glass

SUPPLYING THE PELLETS



The pellets are stored in the hopper which is located beneath the combustion chamber.

They are transported via an Archimedean screw, which places them in the burn pot, avoiding undesirable clattering sounds.

REMOTE CONTROL



WIFI HANDSET



PELLET TWIN SET

