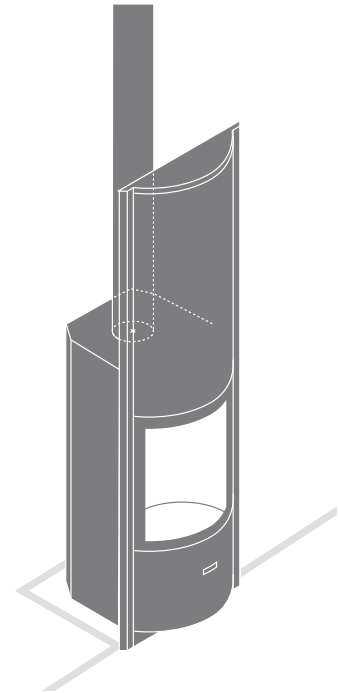


## s30-in B | The stove



<b>3 doors</b>	glass door, closed door, open fire
<b>control of the fire</b>	precision control of combustion air
<b>air-tightness</b>	control over the distribution of combustion air; sweeping of the glass, no consumption of room air, no CO in the living room
<b>excellent efficiency</b>	even at half-power
<b>low pollutant levels</b>	low emission of CO and fine particles even at half-power
<b>outside air inlet</b>	under the stove
<b>economical</b>	low wood consumption
<b>for traditional, energy-efficient and wood-framed homes</b>	✓
<b>180-mm smoke outlet</b>	above



### TECHNICAL SPECIFICATIONS

#### GENERAL

TYPE OF SYSTEM	fitted
MATERIALS	steel + refractors
COLOUR	Stûv grey
LOADING	manual
FUEL	wood
POSITION OF LOGS	vertical
LENGTH OF LOGS	hor. 50 cm
LENGTH OF LOGS	vert. 33 cm

#### WEIGHT / DIMENSIONS

WEIGHT	200 kg
Ø OF SMOKE DUCT	180 mm
Ø HOT-AIR OUTLETS	150 mm
Ø OUTSIDE AIR INLET	100 mm

#### AIR

DIRECT OUTSIDE INLET	✓
CONTROL OF PRIMARY AIR	✓
CONTROL OF SECONDARY AIR	✓
POST-COMBUSTION	✓
AIR-TIGHTNESS	+++
FAN	○
OVERHEATING INDICATOR	✗

#### PERFORMANCE

ENERGY EFFICIENCY CLASS	A+
ENERGY PERFORMANCE INDEX	0,2
ENERGY EFFICIENCY INDEX	107
OUTPUT	9,5 kW
OUTPUT RANGE	4,6 - 13,5 kW
NOMINAL EFFICIENCY	80,8%
SEASONAL EFFICIENCY	70,8%
FINE PARTICLE EMISSIONS	22 mg/Nm <sup>3</sup>
CO EMISSIONS	0,04 %
	421 mg/Nm <sup>3</sup>
NOX EMISSIONS	99 mg/Nm <sup>3</sup>
COV/COG EMISSIONS	17 mg/Nm <sup>3</sup>
RANGE OF WOOD CONSUMPTION	1,3 - 3,9 kg/h
NOMINAL DRAW	12 Pa
SMOKE MASS FLOW	9,2 g/s
AVERAGE TEMP. OF SMOKE	346°C
CONSUMPTION OF ROOM AIR FOR COMBUSTION	24 m <sup>3</sup> /h

#### MINIMUM THICKNESS OF INSULATION BETWEEN STOVE AND COMBUSTIBLE MATERIALS

BACK FACE	4 cm
SIDE FACE	4 cm
TOP FACE	9 cm
BOTTOM FACE	0 cm

#### ACCESSORIES / EQUIPMENT

ACCUMULATION	✗
CUPBOARD	✗
BARBECUE	○
ASHTRAY	✓
CONVECTION	✓
FAÇADE	○
OPEN FIRE	✓
MOBILOBOX	○
GROUND PLATE	○
READY-TO-FIT	○
LOG RACK	○
ROTARY FUNCTION	✗
BASE	✗
FAN	○
RETRACTABLE GLASS	✗

#### LEGEND

✓	STANDARD
✗	UNAVAILABLE
○	OPTIONAL

Conforms with:

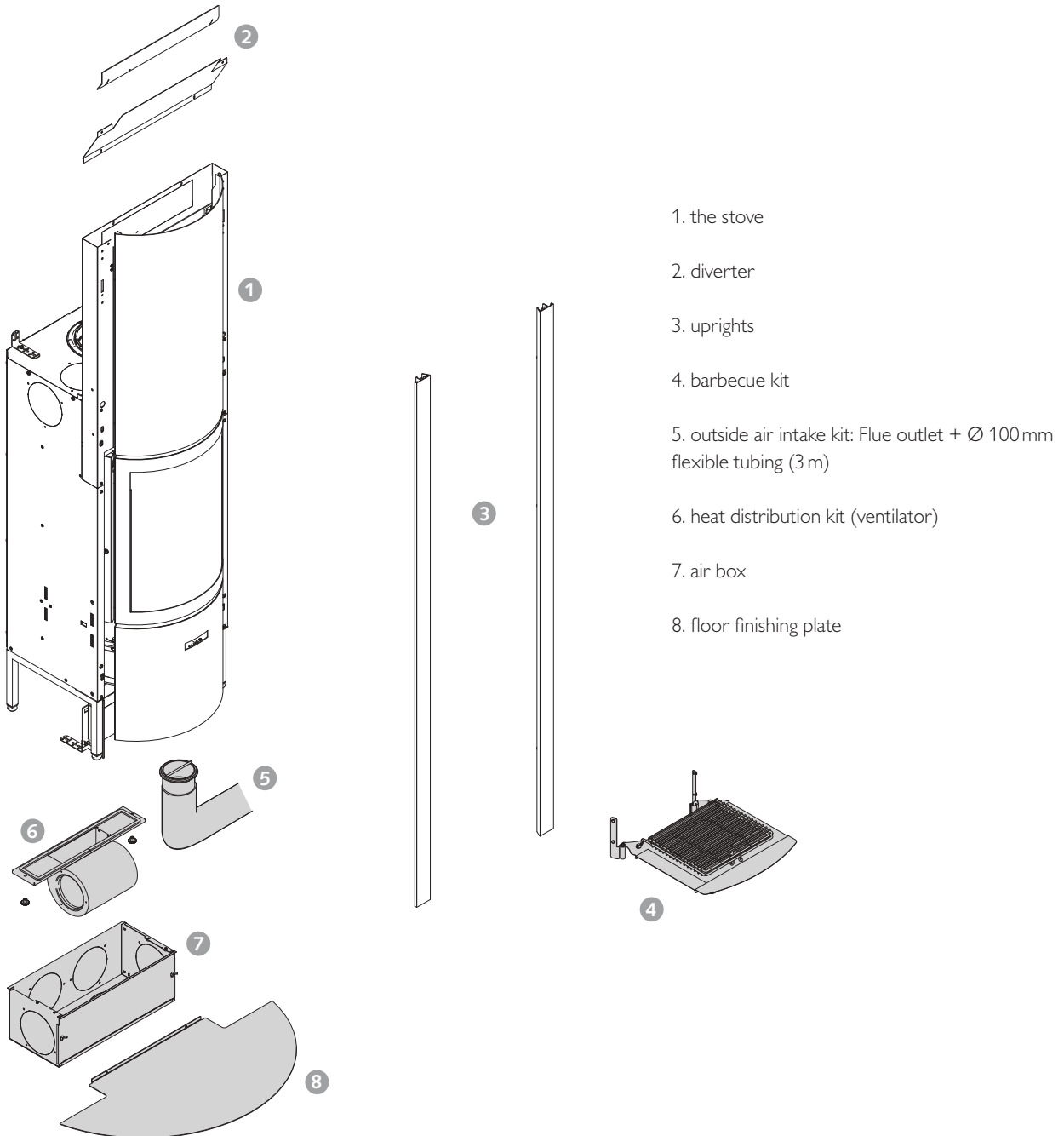


ECODESIGN 2022 / BE Phase 3 / DEFRA

# s30-in B | The stove



## THE BASIC STOVE AND ITS OPTIONAL FEATURES

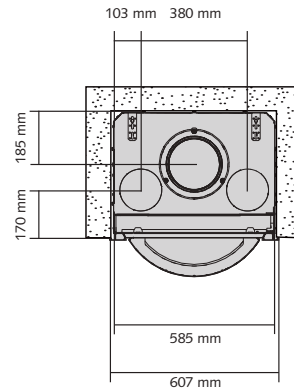
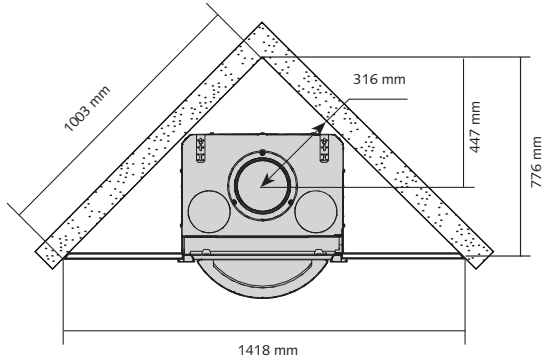


# s30-in B | The stove

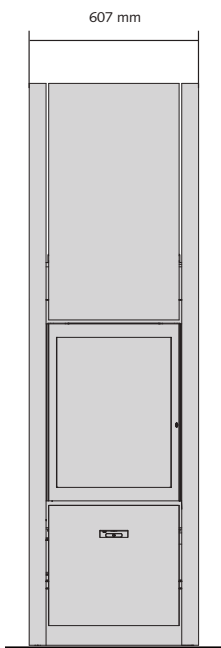


## DIMENSIONS OF THE S30-IN "B" WITH FITTED UPRIGHTS

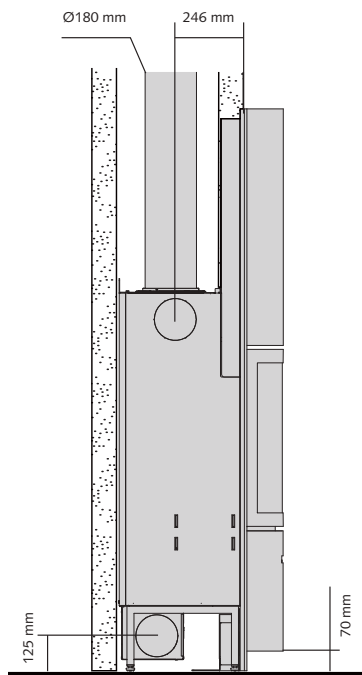
### VIEWS FROM ABOVE



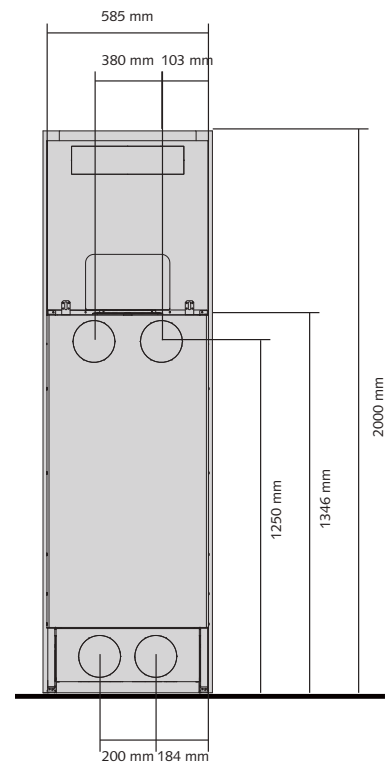
### VIEW OF FRONT



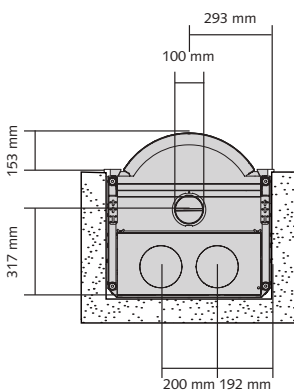
### VIEW OF PROFILE



### VIEW FROM BACK



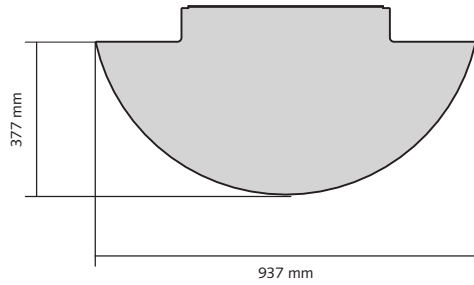
### VIEW FROM BEHIND



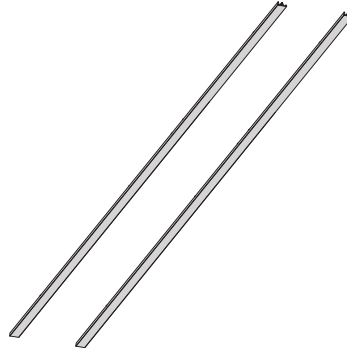
# s30-in B + accessories



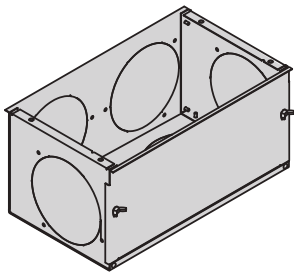
## GROUND PLATE



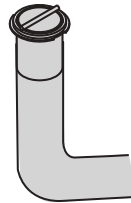
## UPRIGHTS



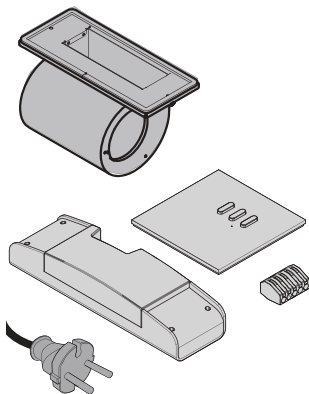
## AIR CASE



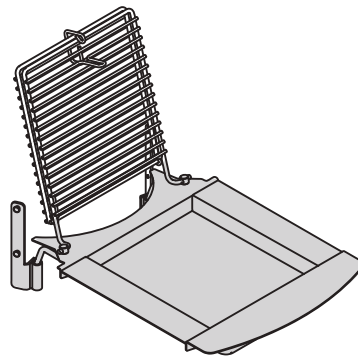
## AIR INLET KIT



## VENTILATION KIT



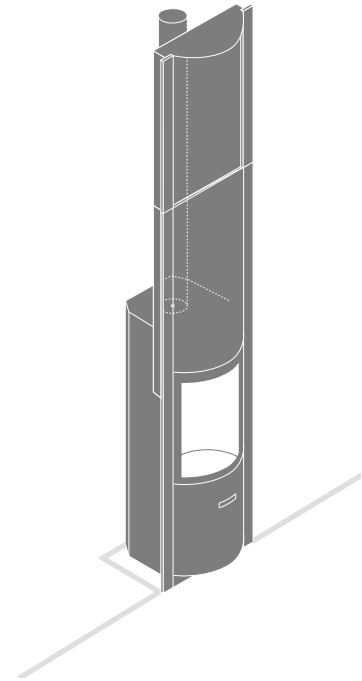
## BARBECUE



## s30-in R | The stove

stuv

<b>3 doors</b>	glass door, closed door, open fire
<b>control of the fire</b>	precision control of combustion air
<b>air-tightness</b>	control over the distribution of combustion air; sweeping of the glass, no consumption of room air, no CO in the living room
<b>excellent efficiency</b>	even at half-power
<b>low pollutant levels</b>	low emission of CO and fine particles even at half-power
<b>outside air inlet</b>	under the stove
<b>economical</b>	low wood consumption
<b>for traditional, energy-efficient and wood-framed homes</b>	✓
<b>180 -mm smoke outlet</b>	above



## TECHNICAL SPECIFICATIONS

## GENERAL

TYPE OF SYSTEM	fitted
MATERIALS	steel + refractors
COLOUR	Stuv grey
LOADING	manual
FUEL	wood
POSITION OF LOGS	vertical
LENGTH OF LOGS	hor. 50 cm
LENGTH OF LOGS	vert. 33 cm

## WEIGHT / DIMENSIONS

WEIGHT	200 kg
Ø OF SMOKE DUCT	180 mm
Ø HOT-AIR OUTLETS	150 mm
Ø OUTSIDE AIR INLET	100 mm

## AIR

DIRECT OUTSIDE INLET	✓
CONTROL OF PRIMARY AIR	✓
CONTROL OF SECONDARY AIR	✓
POST-COMBUSTION	✓
AIR-TIGHTNESS	+++
FAN	○
OVERHEATING INDICATOR	✗

## PERFORMANCE

ENERGY EFFICIENCY CLASS	A+
ENERGY PERFORMANCE INDEX	0,2
ENERGY EFFICIENCY INDEX	107
OUTPUT	9,5 kW
OUTPUT RANGE	4,6 - 13,5 kW
NOMINAL EFFICIENCY	80,8%
SEASONAL EFFICIENCY	70,8%
FINE PARTICLE EMISSIONS	22 mg/Nm <sup>3</sup>
CO EMISSIONS	0,04 %
	421 mg/Nm <sup>3</sup>
NOX EMISSIONS	99 mg/Nm <sup>3</sup>
COV/COG EMISSIONS	17 mg/Nm <sup>3</sup>
RANGE OF WOOD CONSUMPTION	1,3 - 3,9 kg/h
NOMINAL DRAW	12 Pa
SMOKE MASS FLOW	9,2 g/s
AVERAGE TEMP. OF SMOKE	346°C
CONSUMPTION OF ROOM AIR FOR COMBUSTION	24 m <sup>3</sup> /h

## MINIMUM THICKNESS OF INSULATION BETWEEN STOVE AND COMBUSTIBLE MATERIALS

BACK FACE	4 cm
SIDE FACE	4 cm
TOP FACE	9 cm
BOTTOM FACE	0 cm

## ACCESSORIES / EQUIPMENT

ACCUMULATION	✗
CUPBOARD	✗
BARBECUE	○
ASHTRAY	✓
CONVECTION	✓
FAÇADE	○
OPEN FIRE	✓
MOBILOBOX	○
GROUND PLATE	○
READY-TO-FIT	○
LOG RACK	○
ROTARY FUNCTION	✗
BASE	✗
FAN	○
RETRACTABLE GLASS	✗

## LEGEND

✓	STANDARD
✗	UNAVAILABLE
○	OPTIONAL

Conforms with:

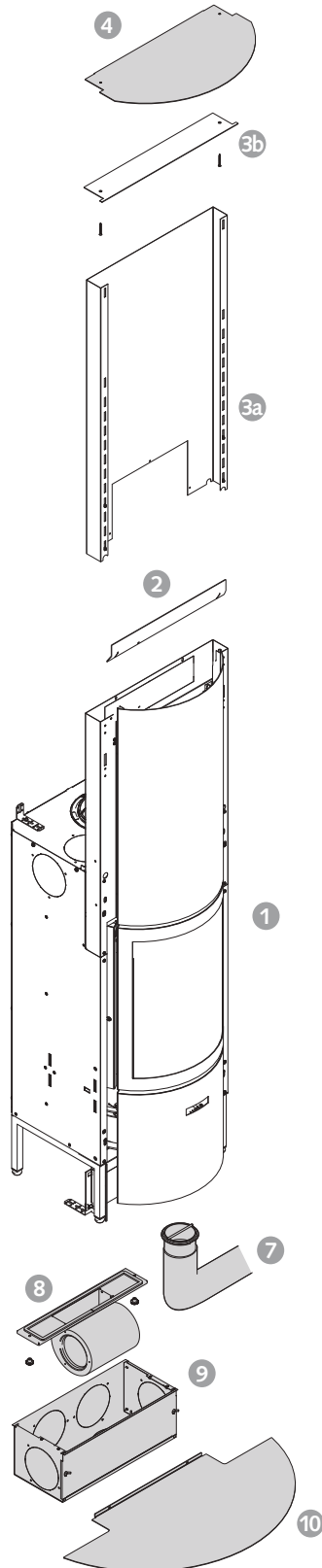


ECODESIGN 2022 / BE Phase 3 / DEFRA

# s30-in R | The stove



## THE BASIC STOVE AND ITS OPTIONAL FEATURES



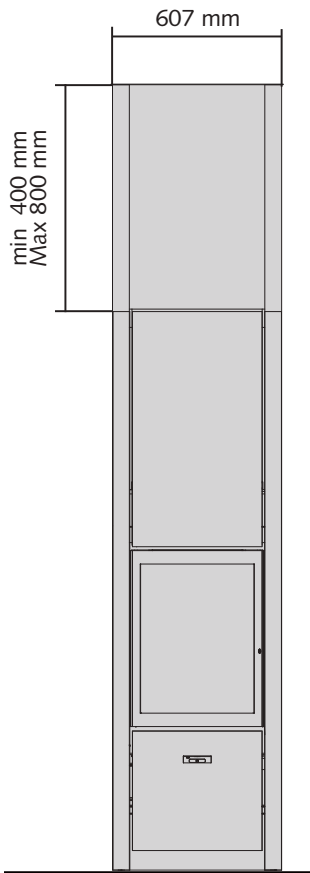
- 1. the stove
- 2. diverter
- 3. height adjustment
  - a. Telescopic height adjuster
  - b. Small ceiling protector
- 4. rounded ceiling protector
- 5. uprights 2800 mm
- 6. barbecue kit
- 7. outside air intake kit: Flue outlet + Ø 100 mm flexible tubing
- 8. heat distribution kit (ventilator)
- 9. air box
- 10. floor finishing plate

# s30-in R | The stove

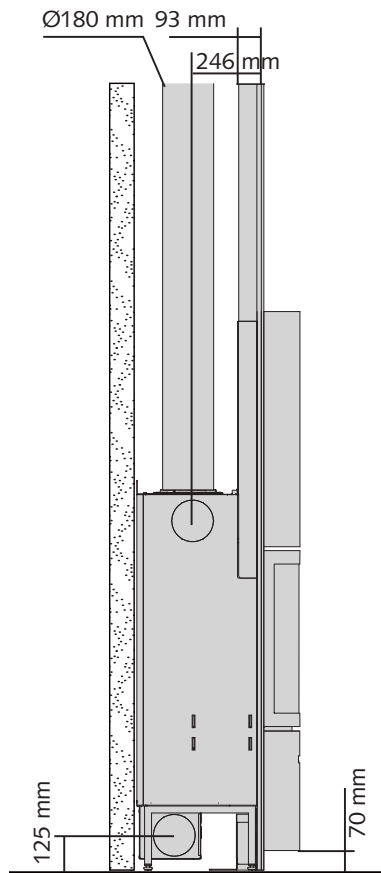


## DIMENSIONS OF THE S30-IN "R"

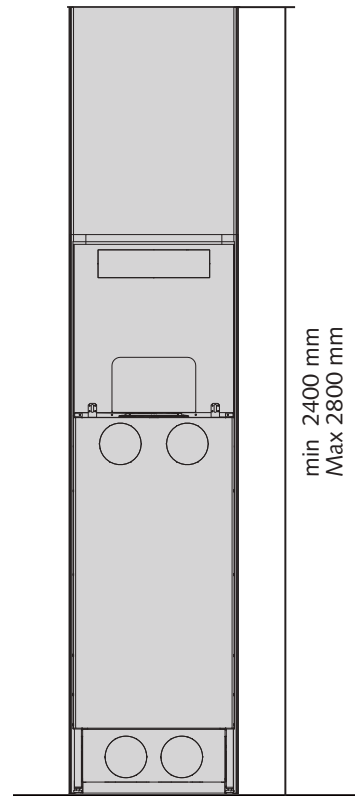
VIEW OF FRONT



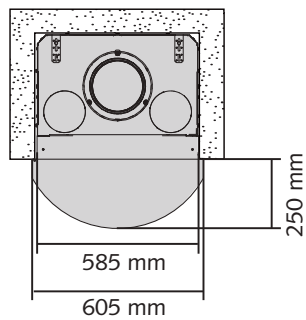
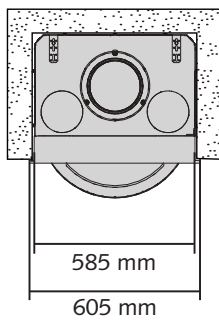
VIEW OF PROFILE



VIEW FROM BACK



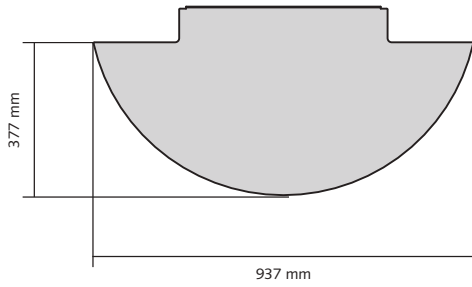
VIEW FROM ABOVE



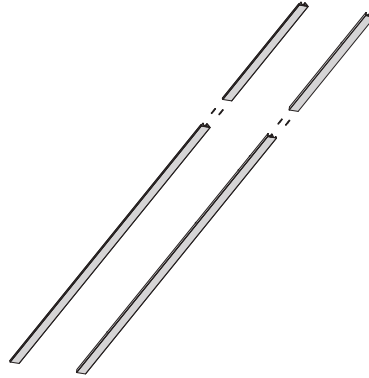
# 30-R + accessories



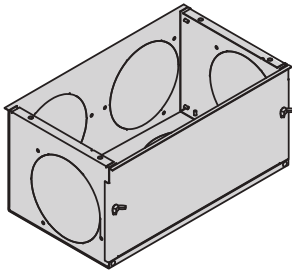
## GROUND PLATE



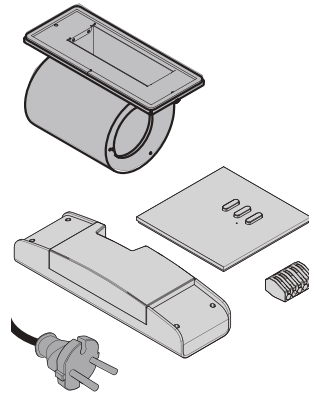
## FITTED AND FLUSH UPRIGHTS



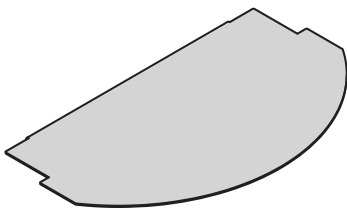
## AIR CASE



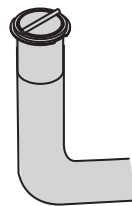
## VENTILATION KIT



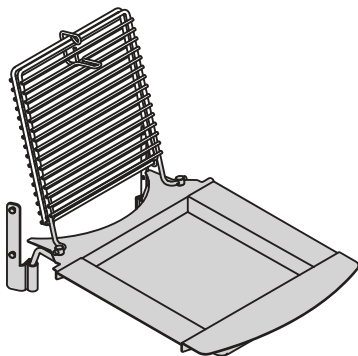
## CEILING FINISHING PLATE



## AIR INLET KIT



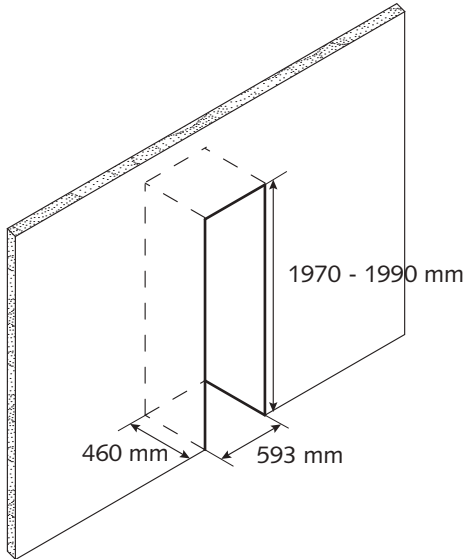
## BARBECUE



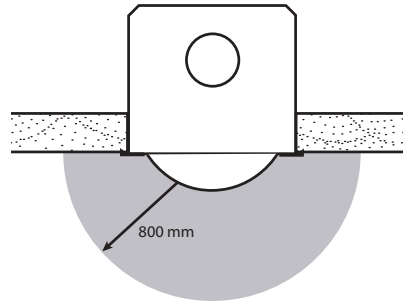


## DIMENSIONS OF THE RECESS

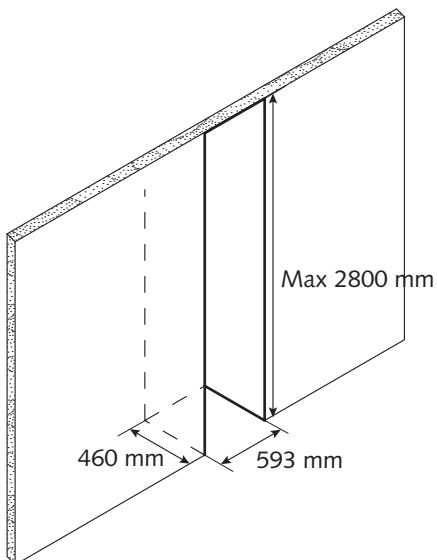
RECESS FOR S30-IN "B"



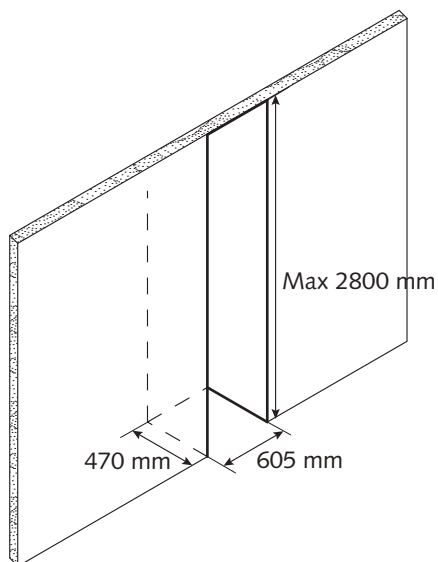
HEAT RADIATED FROM THE GLASS



RECESS FOR S30-IN "R" WITH FITTED UPRIGHTS



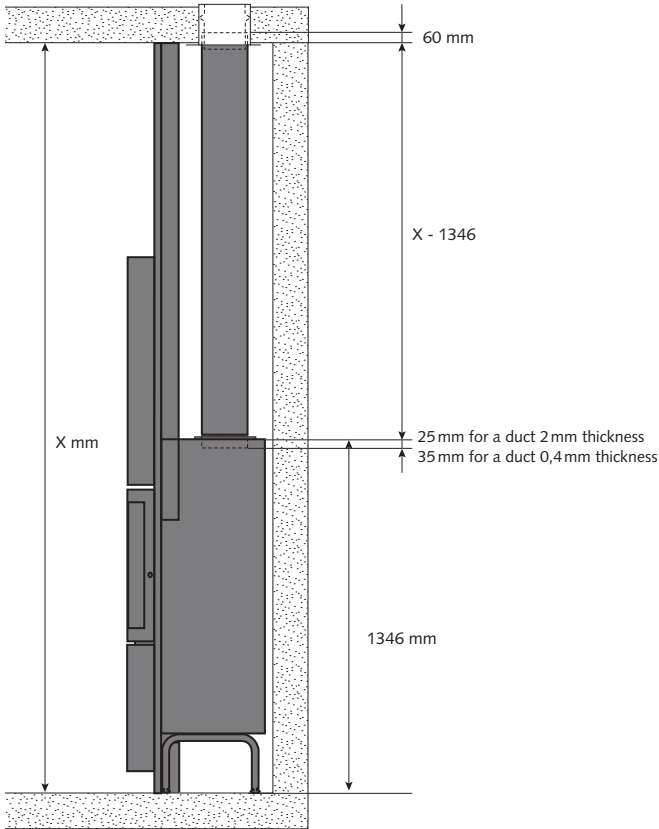
RECESS FOR S30-IN "R" WITH FLUSH UPRIGHTS



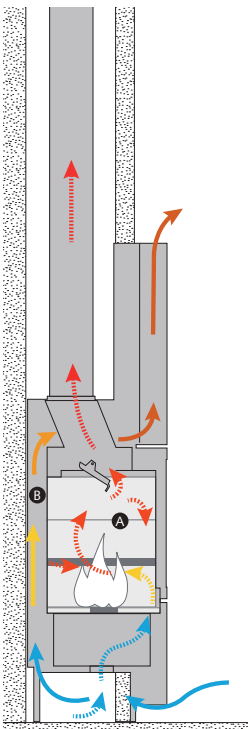
# s30-in | The stove



## SMOKE OUTLETS



## COMBUSTION & CONVECTION AIR



..... combustion zone

— convection zone