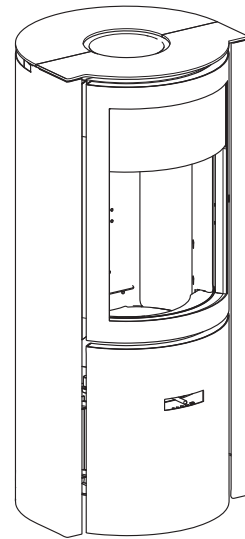


## s30C | The stove

stuv

<b>3 doors</b>	glass door, close door, open fire
<b>combustion chamber</b>	compact
<b>control of the fire</b>	precision control of combustion air
<b>air-tightness</b>	control over the distribution of combustion air; sweeping of the glass, no consumption of room air, no CO in the living room
<b>excellent efficiency</b>	even at half-power
<b>low pollutant levels</b>	low emission of CO and fine particles even at half-power
<b>economical</b>	low wood consumption
<b>for traditional, energy-efficient and wood-framed homes</b>	✓
<b>150-mm smoke outlet</b>	above
<b>turning plate</b>	integrated



## TECHNICAL SPECIFICATIONS

## GENERAL

TYPE OF SYSTEM	stove
MATERIALS	steel + cast iron
COLOUR	Stûv grey
LOADING	manual
FUEL	wood
POSITION OF LOGS	vertical
LENGTH OF LOGS	40 cm

## WEIGHT / DIMENSIONS

WEIGHT	114 kg
Ø OF SMOKE DUCT	150 mm
Ø HOT-AIR OUTLETS	-
Ø OUTSIDE AIR INLET	63 mm

## AIR

DIRECT OUTSIDE INLET	✓
CONTROL OF PRIMARY AIR	✓
CONTROL OF SECONDARY AIR	✓
POST-COMBUSTION	✓
AIR-TIGHTNESS	+++
OPERATION WITHOUT FAN	✓
OVERHEATING INDICATOR	X

## PERFORMANCE

ENERGY EFFICIENCY CLASS	A+
ENERGY PERFORMANCE INDEX	0,5
ENERGY EFFICIENCY INDEX	109
OUTPUT	6,9 kW
OUTPUT RANGE	2,9 - 10,3 kW
NOMINAL EFFICIENCY	82,0%
SEASONAL EFFICIENCY	72,0%
FINE PARTICLE EMISSIONS	20 mg/Nm <sup>3</sup>
CO EMISSIONS	0,07% 917 mg/Nm <sup>3</sup>
NOX EMISSIONS	92 mg/Nm <sup>3</sup>
COV/COG EMISSIONS	61 mg/Nm <sup>3</sup>
RANGE OF WOOD CONSUMPTION	0,8 - 3,0 kg/h
NOMINAL DRAW	12 Pa
SMOKE MASS FLOW	5,3 g/s
AVERAGE TEMP. OF SMOKE	427°C
CONSUMPTION OF ROOM AIR FOR COMBUSTION	14 m <sup>3</sup> /h

## MINIMUM THICKNESS OF INSULATION BETWEEN STOVE AND COMBUSTIBLE MATERIALS

BACK FACE	10 cm
SIDE FACE	10 cm
TOP FACE	-
BOTTOM FACE	0 cm

## ACCESSORIES / EQUIPMENT

ACCUMULATION	X
CUPBOARD	X
BARBECUE	○
ASHTRAY	✓
CONVECTION	✓
FAÇADE	X
OPEN FIRE	✓
MOBILOBOX	○
GROUND PLATE	○
READY-TO-FIT	X
LOG RACK	○
ROTARY FUNCTION	✓
BASE	X
FAN	X
RETRACTABLE GLASS	X

## LEGEND

✓	STANDARD
X	UNAVAILABLE
○	OPTIONAL

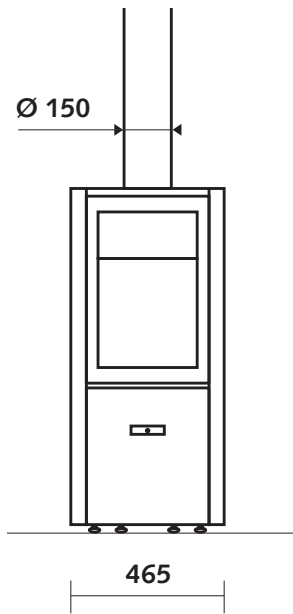
Conforms with:



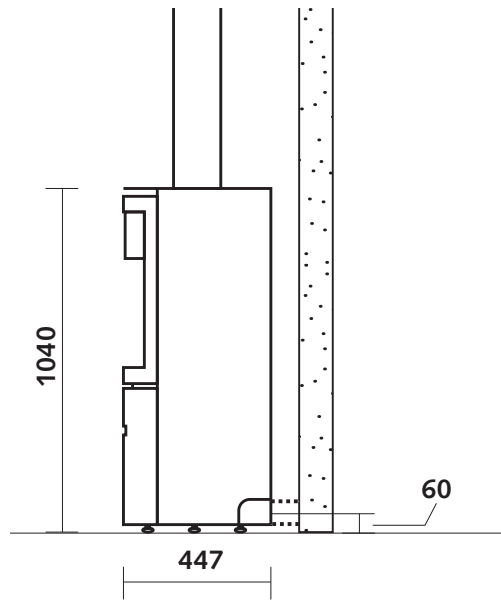
ECODESIGN 2022 / BE Phase 3 / DEFRA

## DIMENSIONS OF THE STOVE

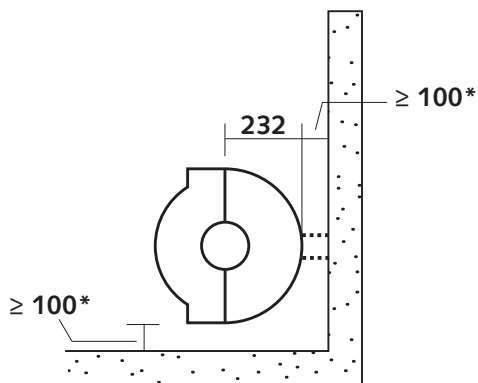
VIEW OF FRONT



VIEW OF PROFILE

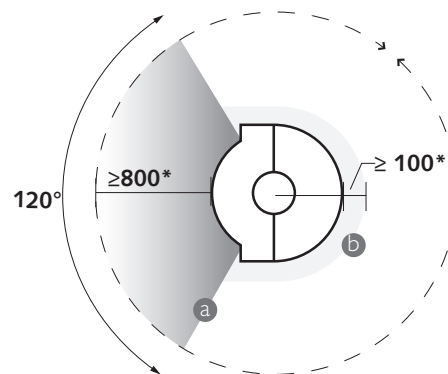


VIEW FROM ABOVE



\*Safety distances from combustible materials.

SAFETY DISTANCES



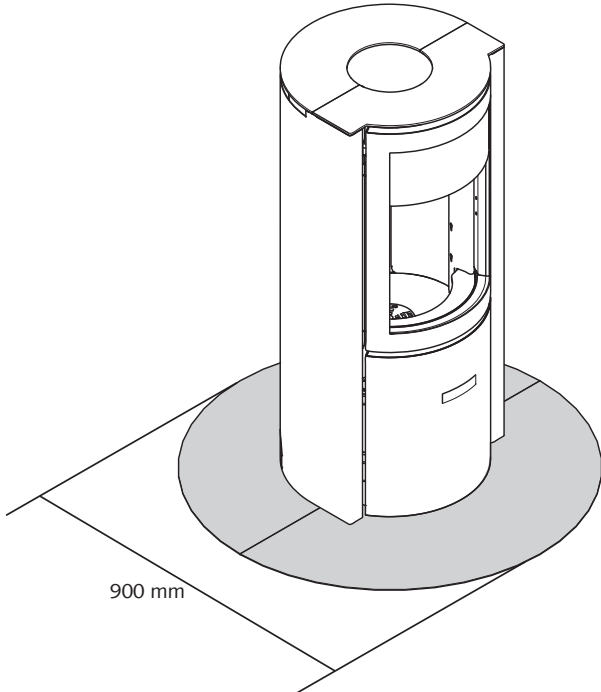
a: Heat radiated from the glass  
b: Heat radiated from the walls

# s30C + accessories



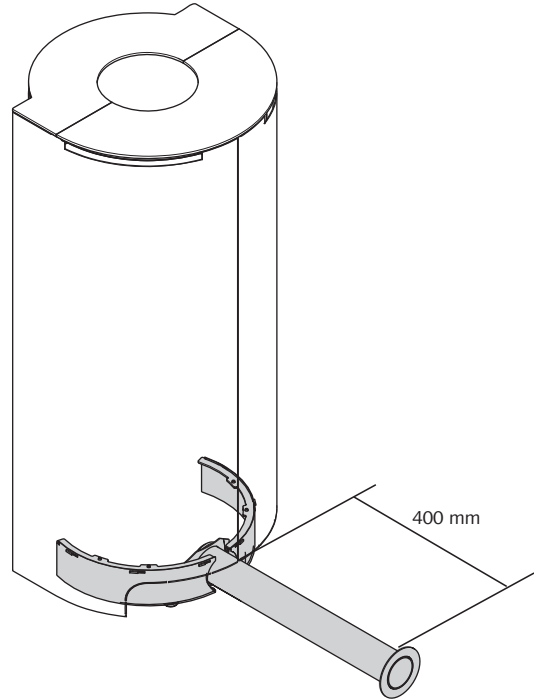
## WITH GROUND PLATE

---



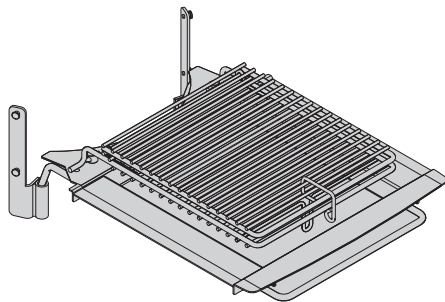
## AIR INLET KIT

---



## BARBECUE

---



## DOOR WITH AUTOMATIC CLOSING (OPTION BAUART 1)

---

