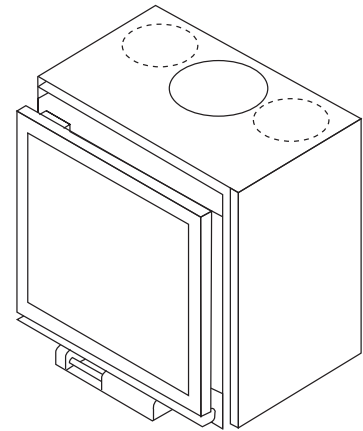


16/58-in | The stove



appearance	compact and subtle design
ergonomics	accessibility to all mechanisms
high efficiency	
economical	low wood consumption
low pollutant levels	low emission of CO and fine particles
air-tightness	++
for traditional and energy-efficient homes	✓



TECHNICAL SPECIFICATIONS

GENERAL

TYPE OF SYSTEM	fitted
MATERIALS	steel + vermiculite
COLOUR	Stuv grey
LOADING	manual
FUEL	wood
POSITION OF LOGS	horizontal
LENGTH OF LOGS	40 cm

WEIGHT / DIMENSIONS

WEIGHT	91 kg
Ø OF SMOKE DUCT	180 mm
HOT-AIR OUTLET	front
Ø OUTSIDE AIR INLET	63 mm

PERFORMANCE

OUTPUT	7 kW
USAGE RANGE	5-8 kW
EFFICIENCY	78%
CO EMISSIONS	0.09%
FINE PARTICLE EMISSIONS	11 mg/Nm ³
RANGE OF WOOD CONSUMPTION	1.4 - 2.3 kg/h
MINIMUM DRAW	12 Pa
SMOKE MASS FLOW	7 g/s
AVERAGE SMOKE TEMPERATURE	283 °C
CONSUMPTION OF AIR FOR COMBUSTION	18.6 m ³ /h
ENERGY EFFICIENCY INDEX (EEI)	104
ENERGY EFFICIENCY CLASS	A

ACCESSORIES / EQUIPMENT

ACCUMULATION	X
CUPBOARD	X
BARBECUE	X
ASHTRAY	X
CONVECTION	✓
FAÇADE	X
OPEN FIRE	X
MOBILOBOX	○
GROUND PLATE	X
READY-TO-FIT	X
LOG RACK	○
ROTARY FUNCTION	X
BASE	X
FAN	○
RETRACTABLE GLASS	X

AIR

DIRECT OUTSIDE INLET	✓
CONTROL OF PRIMARY AIR	✓
CONTROL OF SECONDARY AIR	✓
POST-COMBUSTION	✓
AIR-TIGHTNESS	++
OPERATION WITHOUT FAN	✓
OVERHEATING INDICATOR	X

MIN. THICKNESS OF INSULATION BETWEEN STOVE AND COMBUSTIBLE MATERIALS

BACK FACE	3 cm
SIDE FACE	3 cm
UPPER FACE	9 cm
INSIDE FACE	0 cm

LEGEND

✓	STANDARD
X	UNAVAILABLE
○	OPTIONAL

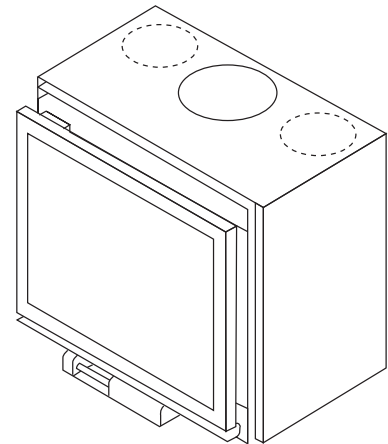
according to:
 - OPair (CH)
 - BE Phase 3
 - BImSchV2 (DE)
 - ECODESIGN 2022



16/68-in | The stove



appearance	compact and subtle design
ergonomics	accessibility to all mechanisms
high efficiency	
economical	low wood consumption
low pollutant levels	low emission of CO and fine particles
air-tightness	++
for traditional and energy-efficient homes	✓



TECHNICAL SPECIFICATIONS

GENERAL

TYPE OF SYSTEM	fitted
MATERIALS	vermiculite
COLOUR	Stuv grey
LOADING	manual
FUEL	wood
POSITION OF LOGS	horizontal
LENGTH OF LOGS	50 cm

WEIGHT / DIMENSIONS

WEIGHT	102 kg
Ø OF SMOKE DUCT	180 mm
HOT-AIR OUTLET	front
Ø OUTSIDE AIR INLET	63 mm

PERFORMANCE

OUTPUT	7.5 kW
USAGE RANGE	5-9 kW
EFFICIENCY	77%
CO EMISSIONS	0.10%
FINE PARTICLE EMISSIONS	19 mg/Nm ³
RANGE OF WOOD CONSUMPTION	1.5 - 2.6 kg/h
MINIMUM DRAW	12 Pa
SMOKE MASS FLOW	7.9 g/s
AVERAGE SMOKE TEMPERATURE	301 °C
CONSUMPTION OF AIR FOR COMBUSTION	20.8 m ³ /h
ENERGY EFFICIENCY INDEX (EEI)	103
ENERGY EFFICIENCY CLASS	A

ACCESSORIES / EQUIPMENT

ACCUMULATION	X
CUPBOARD	X
BARBECUE	X
ASHTRAY	X
CONVECTION	✓
FAÇADE	X
OPEN FIRE	X
MOBILOBOX	○
GROUND PLATE	X
READY-TO-FIT	X
LOG RACK	○
ROTARY FUNCTION	X
BASE	X
FAN	○
RETRACTABLE GLASS	X

AIR

DIRECT OUTSIDE INLET	✓
CONTROL OF PRIMARY AIR	✓
CONTROL OF SECONDARY AIR	✓
POST-COMBUSTION	✓
AIR-TIGHTNESS	++
OPERATION WITHOUT FAN	✓
OVERHEATING INDICATOR	X

MIN. THICKNESS OF INSULATION BETWEEN STOVE AND COMBUSTIBLE MATERIALS

BACK FACE	3 cm
SIDE FACE	3 cm
UPPER FACE	9 cm
INSIDE FACE	0 cm

LEGEND

✓	STANDARD
X	UNAVAILABLE
○	OPTIONAL

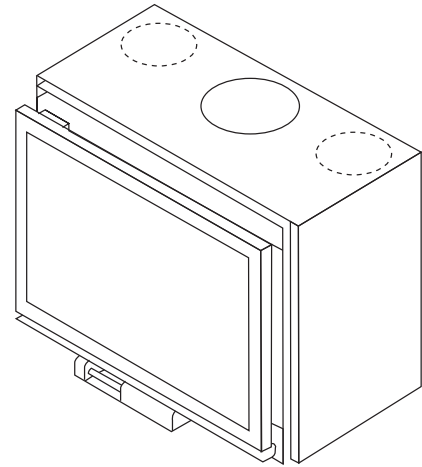
according to:
 - OPair (CH)
 - BE Phase 3
 - BImSchV2 (DE)
 - ECODESIGN 2022



16/78-in | The stove

stuv

appearance	compact and subtle design
ergonomics	accessibility to all mechanisms
high efficiency	
economical	low wood consumption
low pollutant levels	low emission of CO and fine particles
air-tightness	++
for traditional and energy-efficient homes	✓



TECHNICAL SPECIFICATIONS

GENERAL

TYPE OF SYSTEM	fitted
MATERIALS	steel + vermiculite
COLOUR	Stuv grey
LOADING	manual
FUEL	wood
POSITION OF LOGS	horizontal
LENGTH OF LOGS	60 cm

WEIGHT / DIMENSIONS

WEIGHT	112 kg
Ø OF SMOKE DUCT	180 mm
HOT-AIR OUTLET	front
Ø OUTSIDE AIR INLET	63 mm

AIR

DIRECT OUTSIDE INLET	✓
CONTROL OF PRIMARY AIR	✓
CONTROL OF SECONDARY AIR	✓
POST-COMBUSTION	✓
AIR-TIGHTNESS	++
OPERATION WITHOUT FAN	✓
OVERHEATING INDICATOR	✗

PERFORMANCE

OUTPUT	8 kW
USAGE RANGE	6-10 kW
EFFICIENCY	75%
CO EMISSIONS	0,09%
FINE PARTICLE EMISSIONS	13 mg/Nm ³
RANGE OF WOOD CONSUMPTION	1.8 - 3.0 kg/h
MINIMUM DRAW	12 Pa
SMOKE MASS FLOW	8.8 g/s
AVERAGE SMOKE TEMPERATURE	318 °C
CONSUMPTION OF AIR FOR COMBUSTION	23,5 m ³ /h
ENERGY EFFICIENCY INDEX (EEI)	100
ENERGY EFFICIENCY CLASS	A

MIN. THICKNESS OF INSULATION BETWEEN STOVE AND COMBUSTIBLE MATERIALS

BACK FACE	9 cm
SIDE FACE	10 cm
UPPER FACE	9 cm
INSIDE FACE	0 cm

ACCESSORIES / EQUIPMENT

ACCUMULATION	✗
CUPBOARD	✗
BARBECUE	✗
ASHTRAY	✗
CONVECTION	✓
FAÇADE	✗
OPEN FIRE	✗
MOBILOBOX	○
GROUND PLATE	✗
READY-TO-FIT	✗
LOG RACK	○
ROTARY FUNCTION	✗
BASE	✗
FAN	○
RETRACTABLE GLASS	✗

LEGEND

✓	STANDARD
✗	UNAVAILABLE
○	OPTIONAL

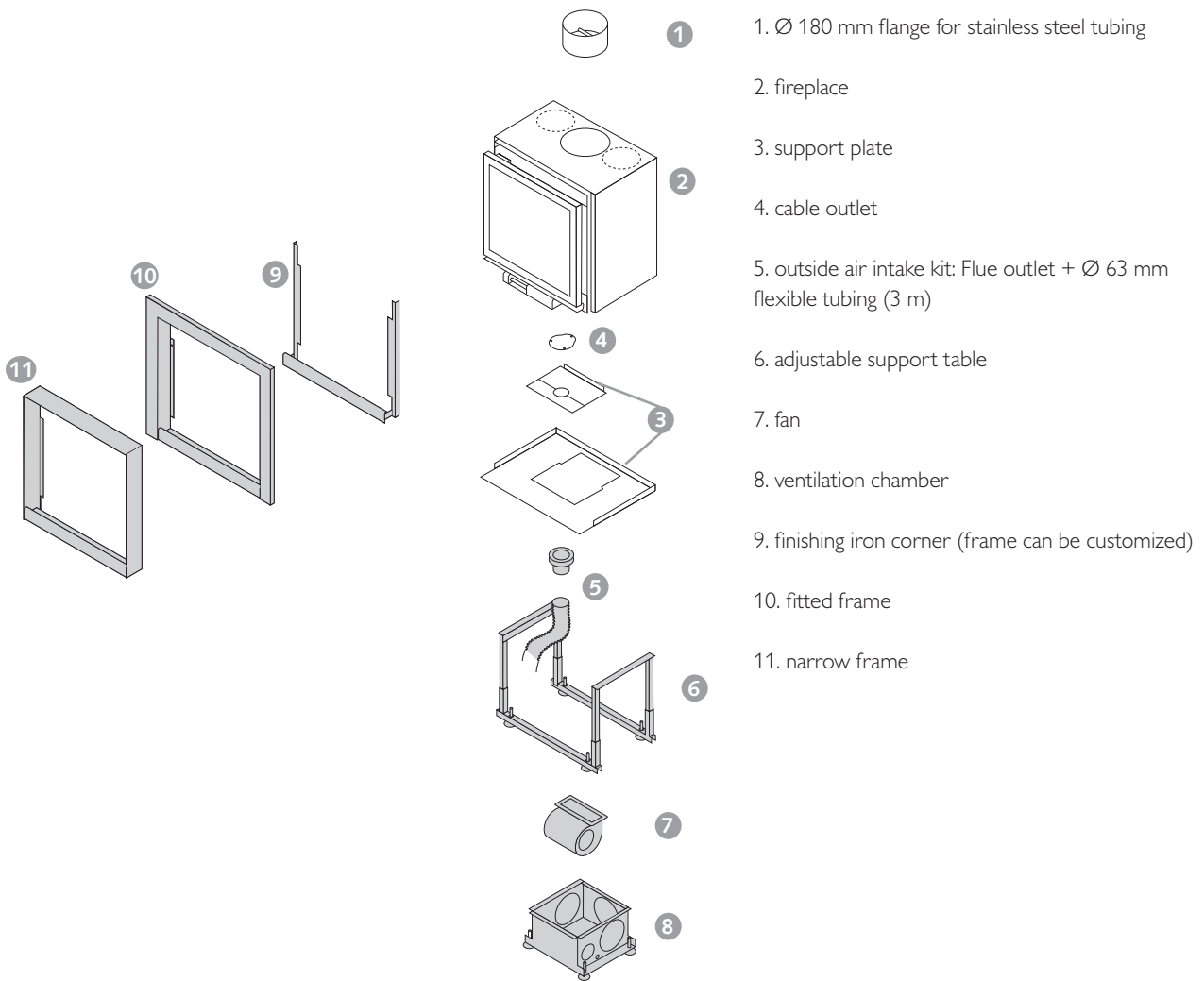
according to:
 - OPair (CH)
 - BE Phase 3
 - BImSchV2 (DE)
 - ECODESIGN 2022



16-in | The stove

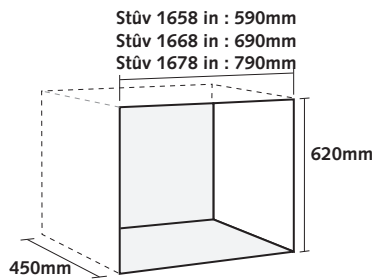


THE BASIC STOVE AND ITS OPTIONAL FEATURES

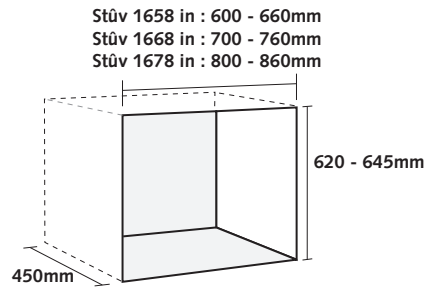


DIMENSIONS OF THE RECESS

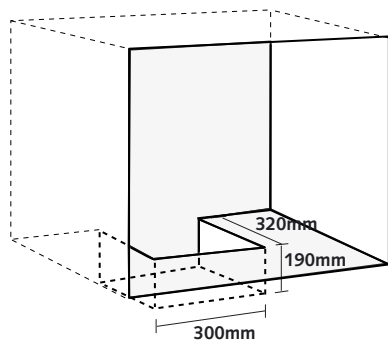
FOR STOVES WITH NARROW FRAMES



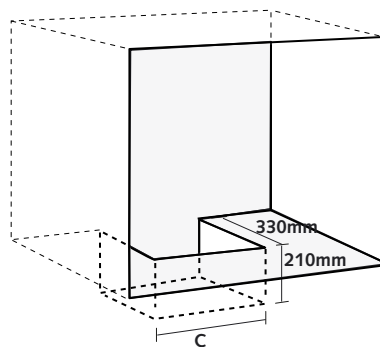
FOR STOVES WITH FITTED FRAMES



SPACE FOR THE FAN



SPACE FOR THE VENTILATION CHAMBER



Stův 15/58-in: C = 350mm

Stův 15/68-in: C = 550mm

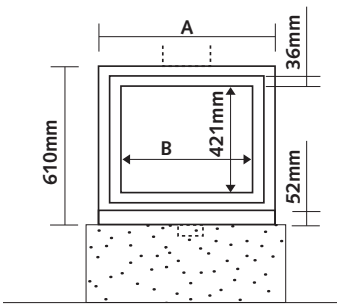
Stův 15/78-in: C = 550mm

16-in | The stove

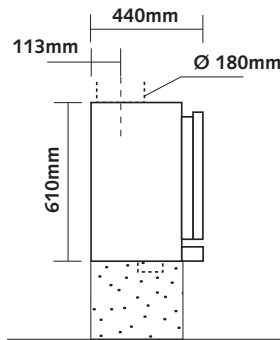


DIMENSIONS OF THE STOVE WITHOUT TABLE

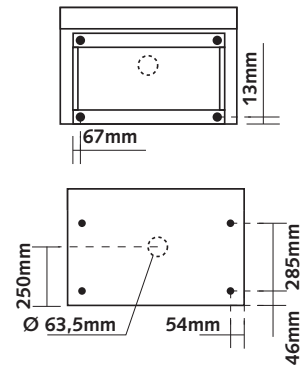
VIEW FROM FRONT



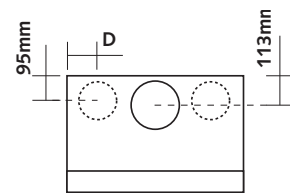
VIEW FROM BELOW



VIEW FROM ABOVE

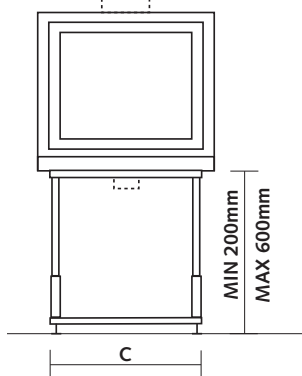


VIEW FROM BEHIND

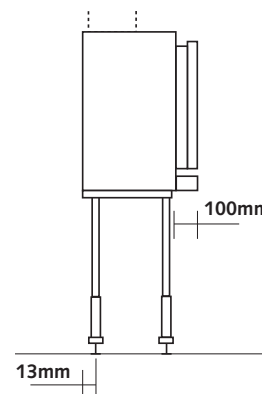


DIMENSIONS OF THE STOVE WITH TABLE SUPPORT

VIEW FROM FRONT



VIEW FROM BELOW

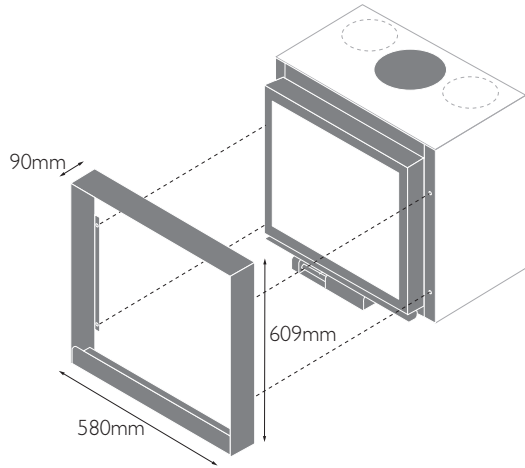


DIMENSIONS	A	B	C	D
16/58-in	580	448	570	105
16/68-in	680	548	670	130
16/78-in	780	648	770	130

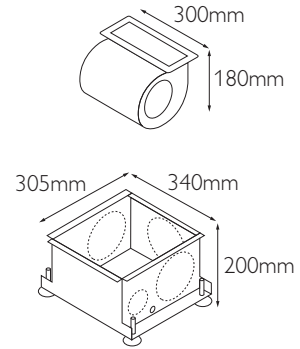
16/58-in | Accessories



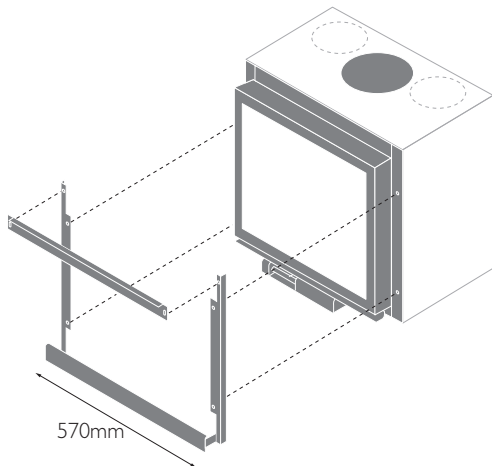
STUV 16/58-IN + NARROW FRAME



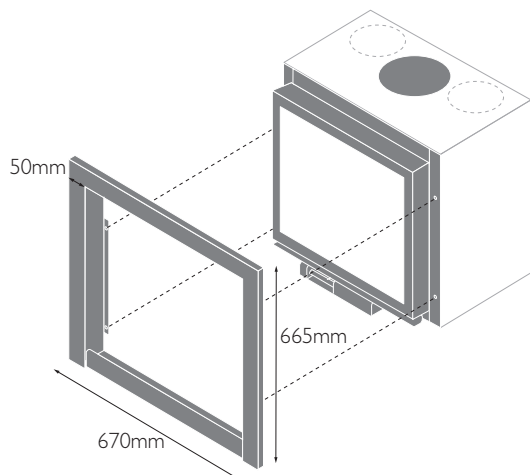
16/58-IN FAN KIT (FAN + VENTILATION CHAMBER)



STUV 16/58-IN + FINISHING IRON CORNER



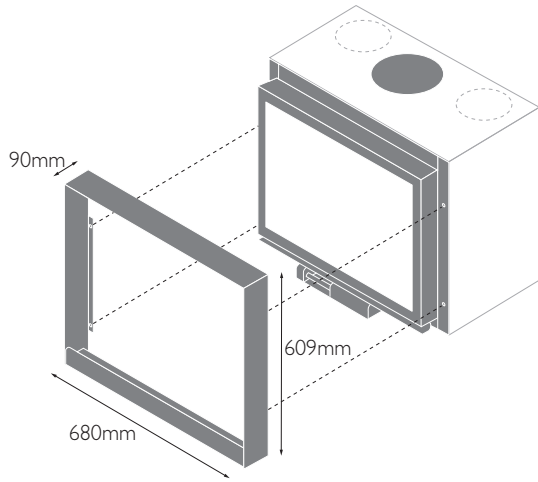
STUV 16/58-IN + FITTED FRAME



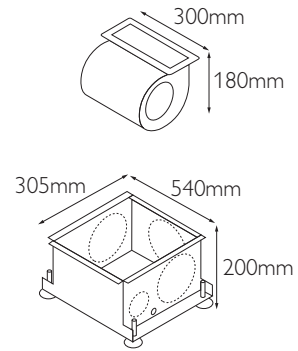
16/68-in | Accessories



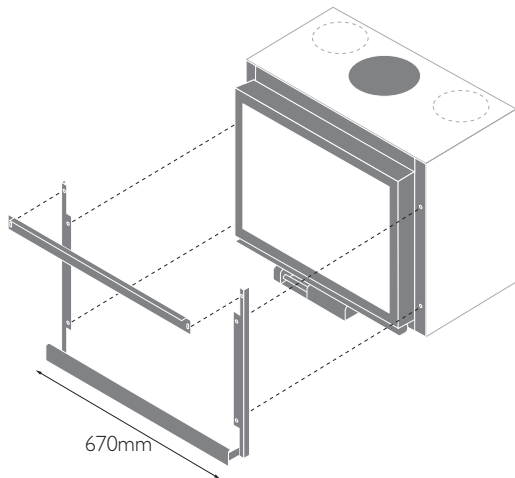
STUV 16/68-IN + NARROW FRAME



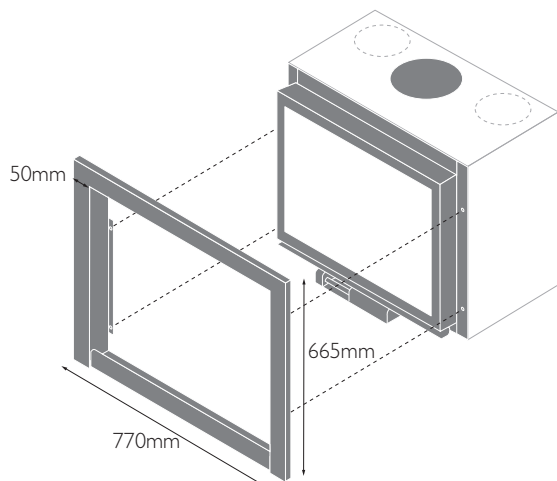
16/68-IN FAN KIT (FAN + VENTILATION CHAMBER)



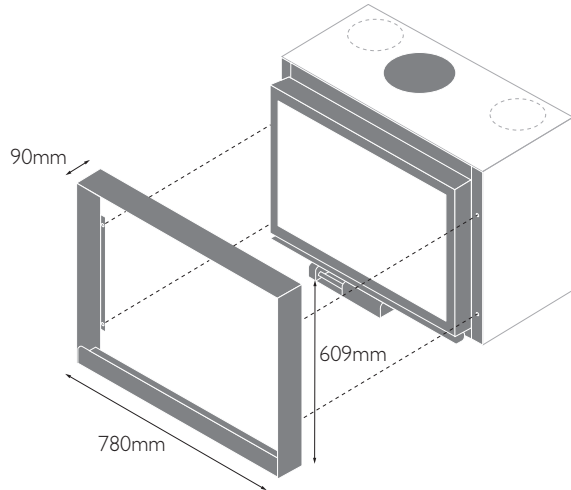
STUV 16/68-IN + FINISHING IRON CORNER



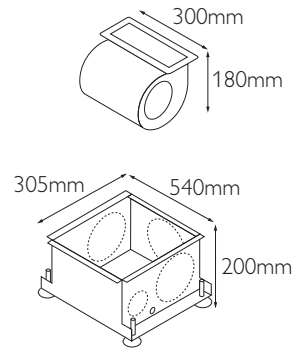
STUV 16/68-IN + FITTED FRAME



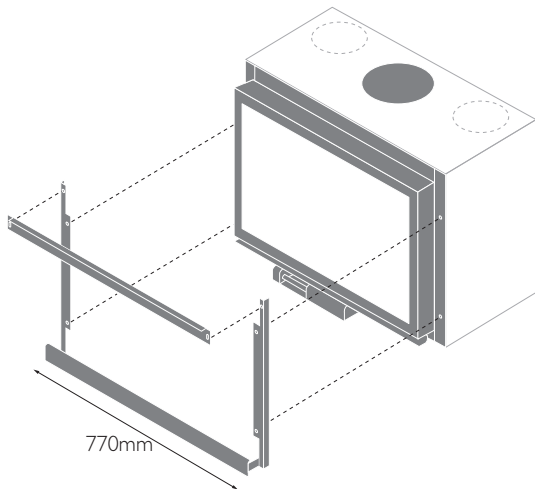
STUV 16/78-IN + NARROW FRAME



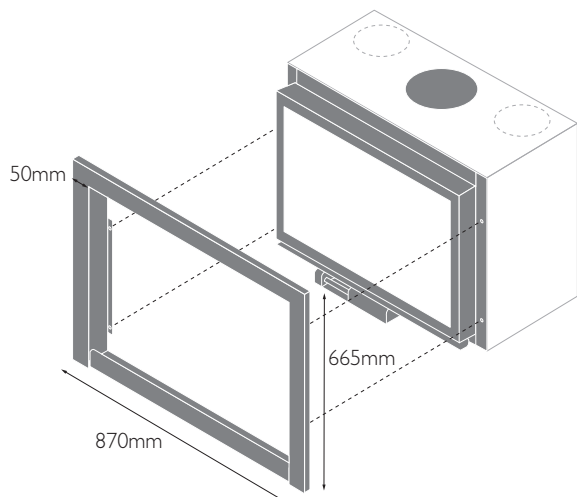
16/78-IN FAN KIT (FAN + VENTILATION CHAMBER)



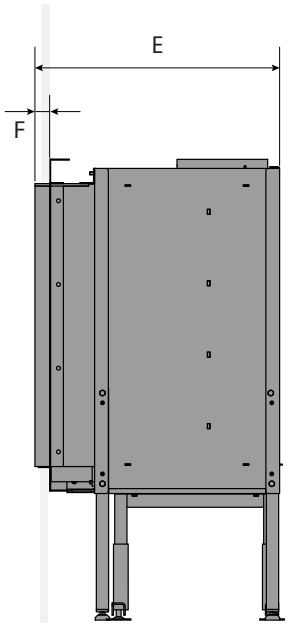
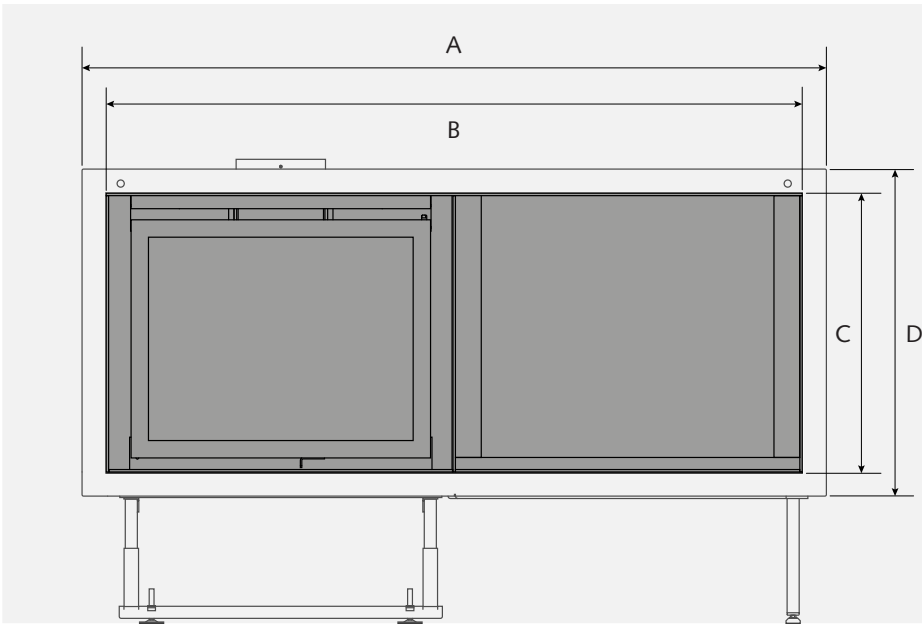
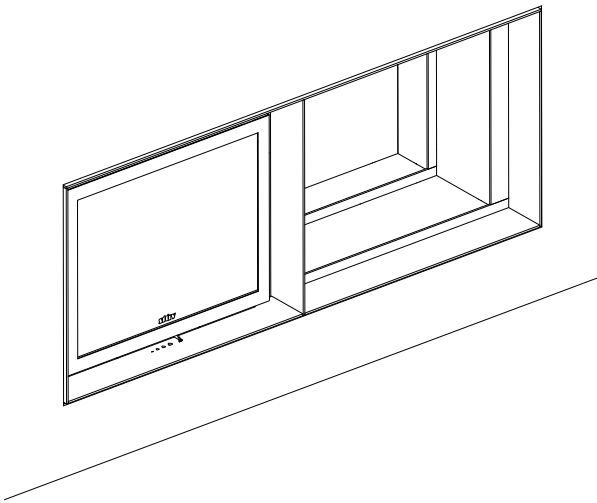
STUV 16/78-IN + FINISHING IRON CORNER



STUV 16/78-IN + FITTED FRAME



16-in | D4 Frame stuv



DIMENSIONS (MM)	A	B	C	D	E	F
Stův 16/58-in	1340	1240	577	677	500	30
Stův 16/68-in	1540	1440	577	677	500	30
Stův 16/78-in	1740	1640	577	677	500	30